



MICROWAVE SYSTEMS

P.O Box 5039  
Wallingford, CT 06492-5039 USA  
Tel. (203) 949-8400  
Fax. (203) 949-8423

**Connector N (male) for cable LMR 600  
PN 3190-1387**

OF ???????

**Made in Brazil**



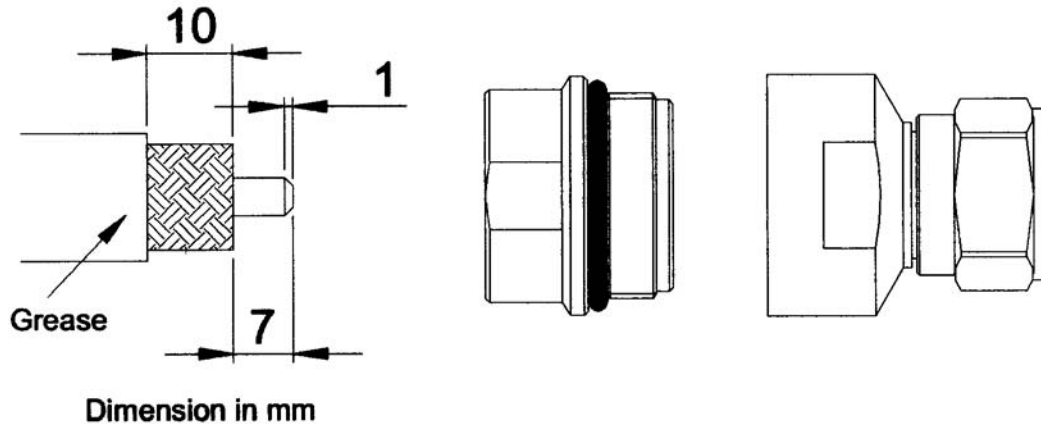
MICROWAVE SYSTEMS

**Installation Instruction for connectors**

**N(male) for cable LMR 600**

Recommended tools:

Hacksaw  
File  
Wrench 1"  
Wrench 15/16"



### 1. Cable Trimming.

- 1.1. Strip cable as shown. (Don't forget the chamfer on cable's center conductor)
- 1.2. Remove any remaining dielectric material from the cable's center conductor.

### 2. Connector assembly.

- 2.1. Lubricate the cable with the provided grease.
- 2.2. Slide back nut onto cable.
- 2.3. Open the braid from the center to the outside direction.
- 2.4. Rotate the connector head clockwise. Using the open-end wrenches, tighten the sections together to the point that the connector doesn't rotate freely on the cable when applying reasonable hand force (Important: Push the connector head against the cable while rotating it).