

TIMES MICROWAVE SYSTEMS

358 Hall Avenue/P.O. Box 5039
Wallingford, CT 06492-5039
Tel: 203-949-8400
FAX: 203-949-8423
1-800-TMS-COAX
www.timesmicrowave.com

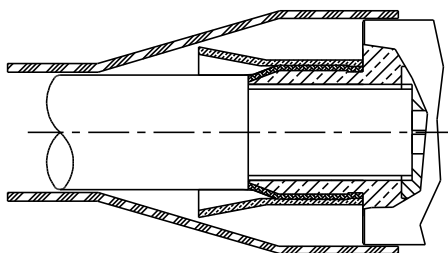
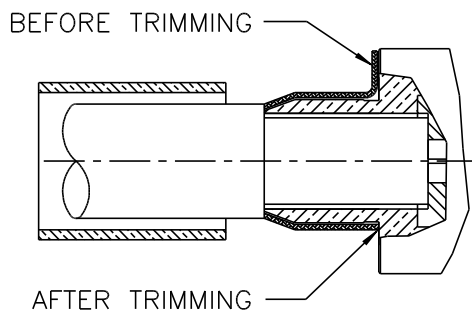
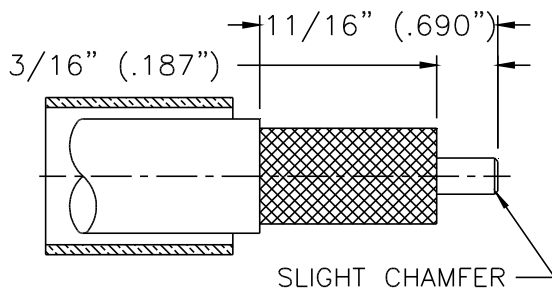
INSTALLATION INSTRUCTIONS

EZ-400-NMH (3190-400, -425, -487)

EZ-400-NF-BH (3190-424, -518)

EZ-400-NMH-PL (3190-602)

CABLE TYPES: LMR-400, 400-DB, 400-FR, 400-PVC, 400-LLPL
(NOT RECOMMENDED FOR LMR-400-ULTRA-FLEX)



- Trim cable to dimensions shown using a razor knife or Times ST-400-EZ strip tool.
 - Remove any residual plastic from the center conductor.
 - Deburr center conductor using a fine file or Times DBT-01 tool.
- Slide heat shrink tube and crimp ring over cable.
 - Insert cable into connector body until dielectric is fully seated and center conductor is inserted fully into connector center pin.
 - Trim excess braid flush to back of connector body. (optional)
- Slide crimp ring over braid and crimp as close as possible to connector body using a .429" hex die. Use Times HX-4 tool or equivalent.
 - Heat shrink weather seal over rear of connector body and down onto cable jacket using a hot air gun.